



Series T750 Pneumatic and Hydraulic Cylinders

- 1.50" – 4.00" Bores
- 250 PSI Pneumatic Service
- 1,000 PSI Hydraulic Service
- Extra-Long Rod and Piston Bearings
- Rugged Construction for Extended Life
- Unique, Positive Cushioning Design
- Conform to JIC Standards

SERIES T750 PNEUMATIC AND HYDRAULIC CYLINDERS

HANNA
cylinders

Series T750

Heavy-Duty Pneumatic Medium-Duty Hydraulic Cylinders

Hanna's Series T750 cylinders are designed for heavy-duty pneumatic service up to 250 p.s.i., or medium-duty hydraulic service to 1000 p.s.i. Offered in 1.50" through 4.00" bore sizes, they are available in six mounting styles. The units conform to J.I.C. standards.

Featuring rugged construction and extra-long rod and piston bearings, Series T750 cylinders are engineered to provide extended life. Unique cushion design assures positive cushioning over the entire cushion stroke, with immediate full speed on return stroke.

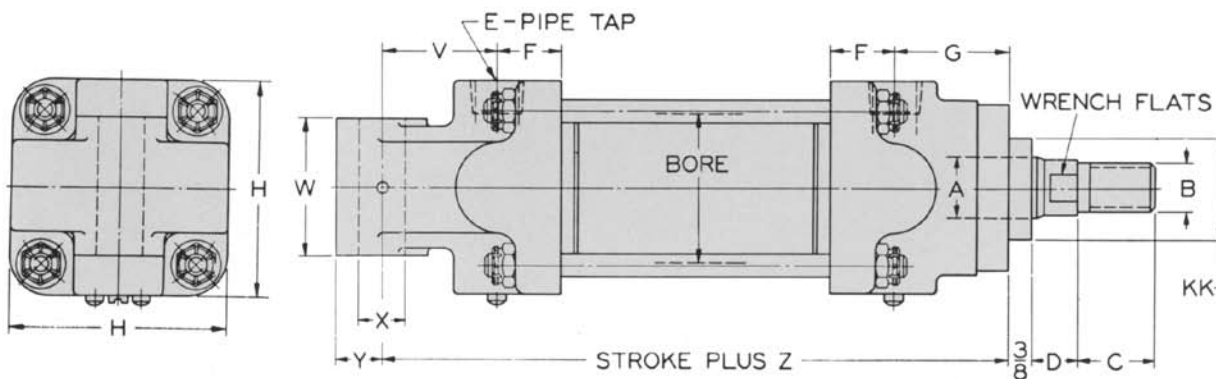
Ideal for a wide range of applications, Series T750 cylinders have been used extensively in packaging machinery and conveying equipment.

Dimensions

All dimensions shown are of cushioned and non-cushioned cylinders in inches. Dimensions are for

zero stroke. Rod ends shown will be furnished unless otherwise specified. Alternate rod ends are available.

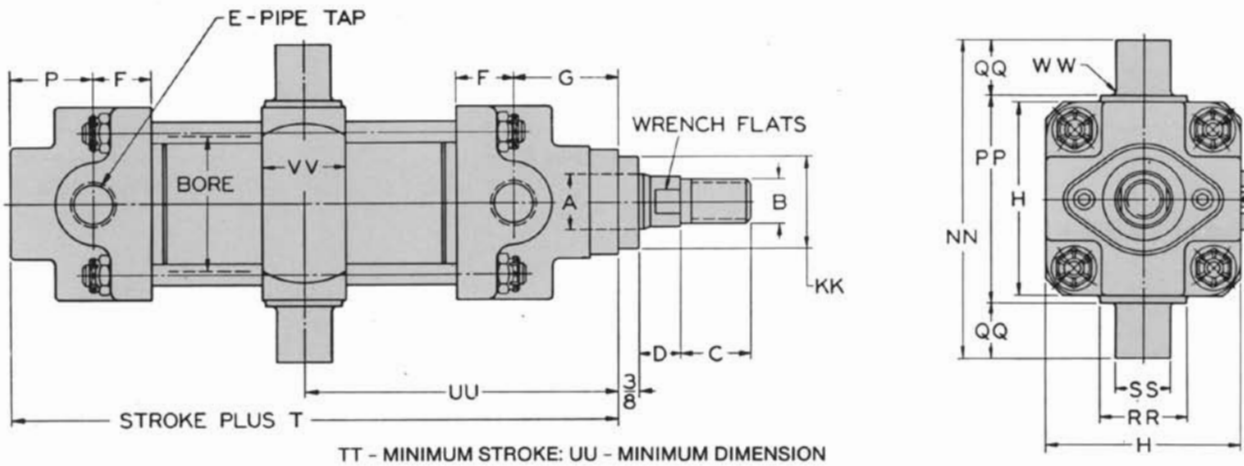
Model T751 - Hinge Mount



BORE	A	B	C	D	E	F	G	H	J	K	L	M	N	P	Q	R	S	T
1½	¾	¾-20	¾	¾	¾	1½	1½	2½	1¼	1½	1¾	4¾	1½	1¼	¾	¾	1¼	5½
2	¾	½-20	¾	¾	¾	1	1½	3	1½	1½	2	4¾	1½	1¼	¾	½	2¾	6¾
2½	1	¾-16	1¼	¾	¾	1½	1¾	3½	1¾	1½	2½	4¾	1½	1½	1¼	½	2½	6¾
3	1	¾-16	1¼	¾	¾	1¾	1¾	4¼	2½	1½	3	5¾	1½	1½	1¼	½	2¾	6¾
4	1½	1-14	1¾	¾	¾	1¼	2¾	5¼	2¾	1½	3¾	7¼	1½	2½	¾	¾	3¾	9½

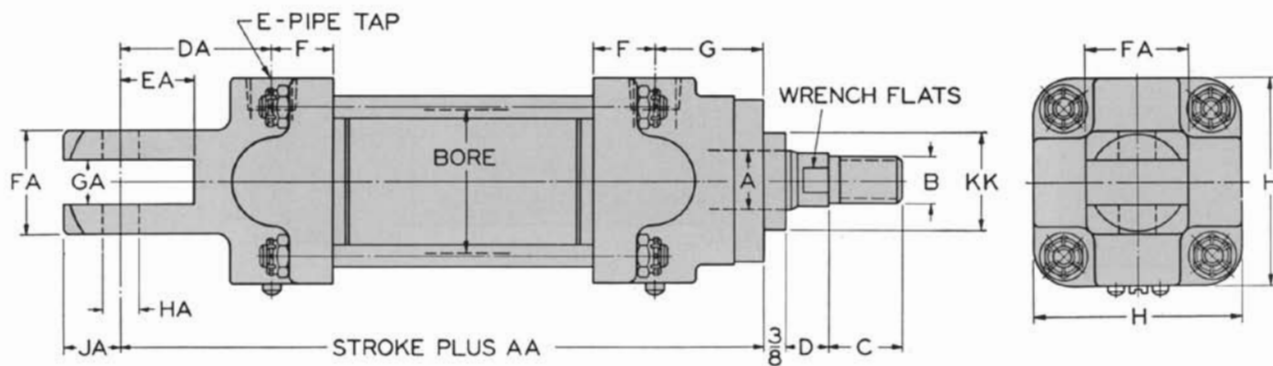
HANNA cylinders

Model T755 — Trunion Mount



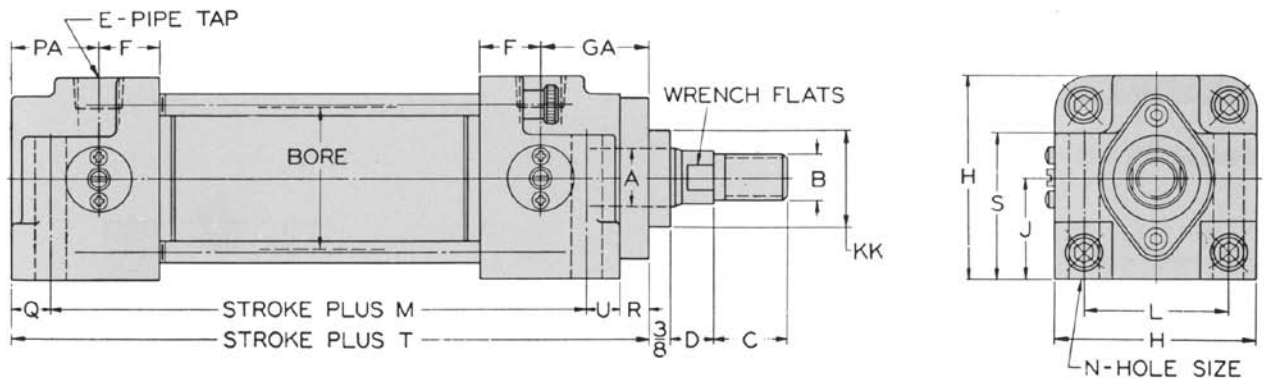
BORE	A	B	C	D	E	F	G	H	P	T	KK	NN	PP	QQ	RR	SS	TT	UU	VV	WW
1½	¾	¾-20	¾	¾	¾	1 ¹ / ₁₆	1 ¹ / ₁₆	2½	1¼	5 ¹ / ₁₆	1¼	4	2¼	¾	¾	0	3	1	¾	
2	¾	½-20	¾	¾	¾	1	1 ¹ / ₁₆	3	1 ¹ / ₁₆	6	1	5	3¼	¾	1	¾	¾	3 ¹ / ₁₆	1¼	¾
2½	1	¾-16	1¼	¾	¾	1 ¹ / ₁₆	1	3½	1½	6	1	5¼	3¼	1	1	¾	3 ¹ / ₁₆	1½	¾	
3	1	¾-16	1¼	¾	¾	1 ¹ / ₁₆	1	4¼	1½	6	1	7	4½	1¼	1¼	¾	3 ¹ / ₁₆	1¼	¾	
4	1½	1-14	1¼	¾	¾	1¼	2	5¼	2½	8½	2½	8¼	5¼	1½	2	1½	1	5	2¼	¾

Model T761 — Clevis Mount

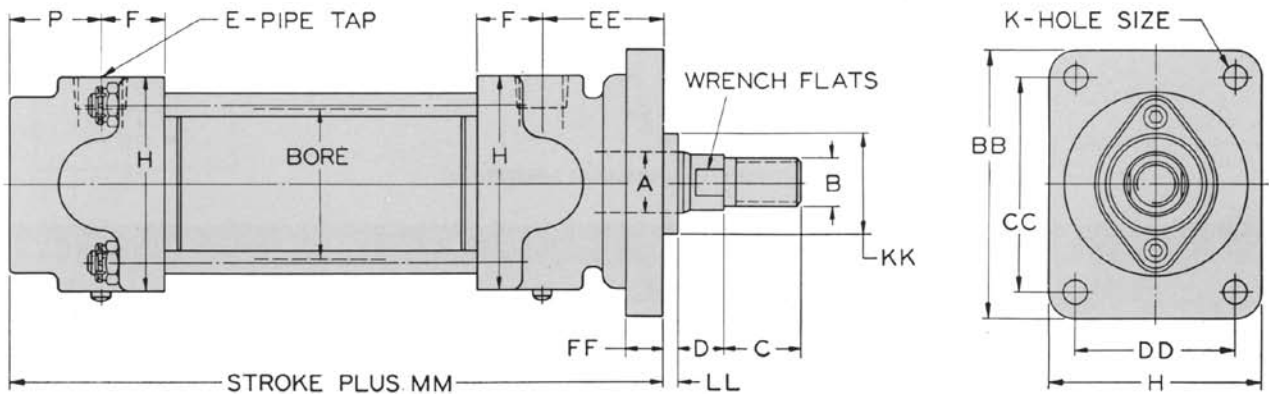


BORE	A	B	C	D	E	F	G	H	AA	KK	DA	EA	FA	GA	HA	JA
1½	¾	¾-20	¾	¾	¾	1 ¹ / ₁₆	1 ¹ / ₁₆	2½	6¼	1¼	2 ¹ / ₁₆	1 ¹ / ₁₆	1¼	¾	¾	¾
2	¾	½-20	¾	¾	¾	1	1 ¹ / ₁₆	3	7 ⁷ / ₁₆	1	2½	1	1½	½	½	¾
2½	1	¾-16	1¼	¾	¾	1 ¹ / ₁₆	1	3½	7 ¹ / ₁₆	1	2 ¹ / ₁₆	1¼	1¼	¾	¾	1
3	1	¾-16	1¼	¾	¾	1 ¹ / ₁₆	1	4¼	7 ¹ / ₁₆	1	2 ¹ / ₁₆	1¼	1¼	¾	¾	1
4	1½	1-14	1¼	¾	¾	1¼	2	5¼	10	2½	3¼	1	2¼	1	¾	1

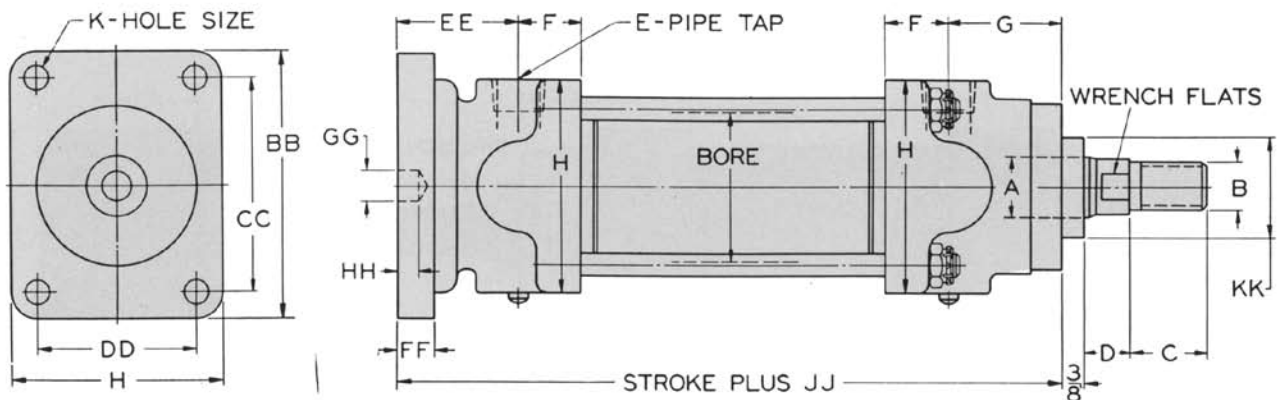
Model T752 - Foot Mount



Model T753 - Rod Flange Mount



Model T754 - Blind Flange Mount

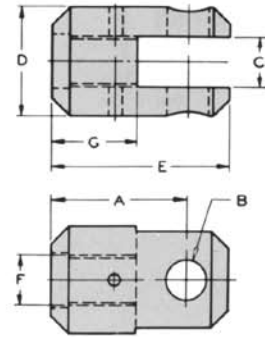
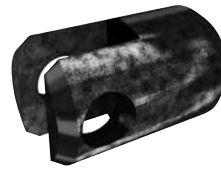


U	V	W	X	Y	Z	BB	CC	DD	EE	FF	GG	HH	JJ	KK	LL	MM	PA	GA
1/2	1 1/8	1 1/2	1/2	1/2	6 1/16	3 1/2	2 3/4	1 3/4	1 11/16	7/8	3/8	3/8	6 3/8	1 1/4	1/4	6 1/16	1 1/4	1 9/16
1/2	1 1/8	1 3/4	5/8	5/8	6 3/16	4	3 1/8	2 1/2	1 11/16	1/2	3/8	3/8	6 3/8	1 1/8	1/4	6 1/2	1 7/16	1 13/16
3/16	1 1/8	2 1/4	3/4	3/4	7	4 3/8	3 1/2	2 5/8	2	5/8	1/2	3/8	7 1/8	1 1/8	1/4	6 3/4	1 1/2	1 1/8
3/16	1 1/8	2 1/2	7/8	7/8	7 1/4	5	4	3 3/4	2	5/8	1/2	3/8	7 1/8	1 1/8	1/4	7	1 1/2	1 1/8
3/4	2 1/8	3	1	1	9	8	6 1/2	3 3/4	2 3/4	1	1/2	1/2	9 1/4	2 1/2	1/4	8 1/2	2 1/2	3 1/8

OPTIONS

Rod Clevis

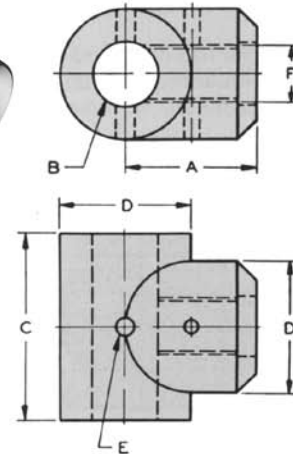
The rod clevis attaches to the piston rod of Series T750 cylinders. Clevis pins are also available.



BORE	ITEM NO.	A	B	C	D	E	F	G
1½	V15	1½	¾	⅞	1	1½	⅞-20	¾
2	V20	1½	½	½	1¼	2	½-20	¾
2½	V25	2	¾	¾	1½	2½	¾-16	1¼
3	V30	2	¾	¾	1½	2½	¾-16	1¼
4	V40	3	¾	1	2½	4	1-14	1¾

Rod Eye

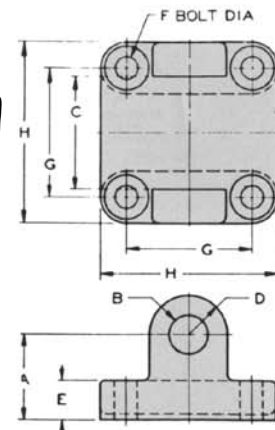
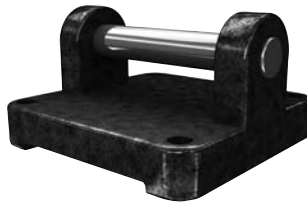
The rod eye attaches to the piston rod of Series T750 cylinders. May be used with or without mounting bracket.



BORE	ITEM NO.	A	B	C	D	E	F
1½	Y15	1	½	1½	1	¾	⅞-20
2	Y20	1¼	¾	1¾	1¼	¾	½-20
2½	Y25	1¾	¾	2¼	1½	¾	¾-16
3	Y30	1¾	¾	2½	1¾	¾	¾-16
4	Y40	2¾	1	3	2	¾	1-14

Mounting Bracket

The mounting bracket fits the back head of the hinge mount cylinder. It may also be used on the rod end of any cylinder equipped with a rod eye. Comes complete with pin.

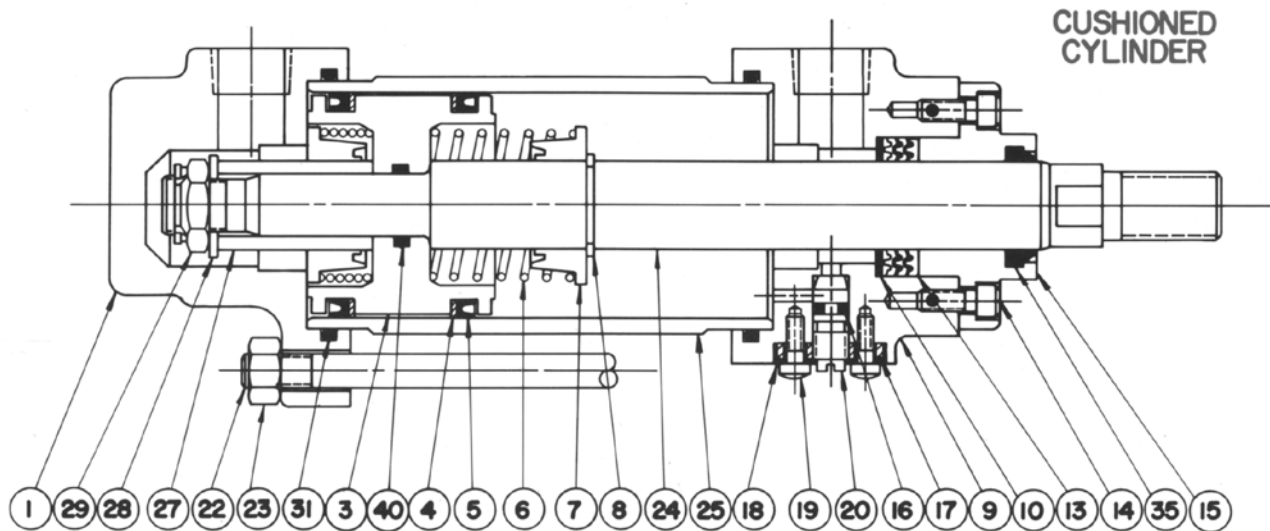
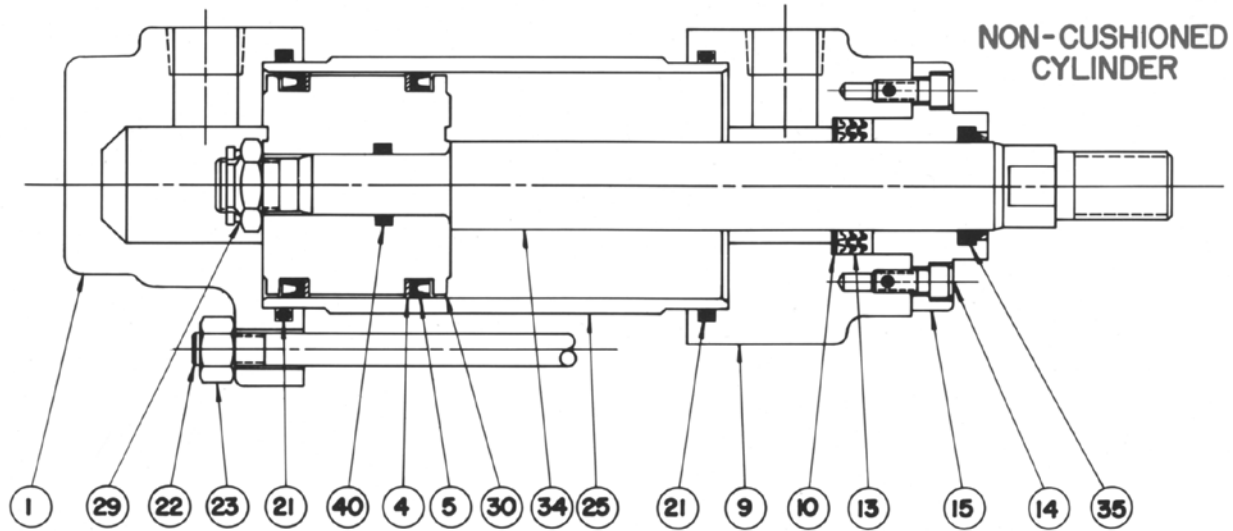


BORE	ITEM NO.	A	B	C	D	E	F	G	H
1½	B15	1½	½	1½	½	½	⅞	1¾	2½
2	B20	1¾	¾	1¾	¾	¾	¾	2½	3
2½	B25	1¾	¾	2¼	¾	¾	¾	2½	3½
3	B30	1¾	¾	2½	¾	¾	¾	2½	4
4	B40	2¼	1	3	1	1	¾	3½	5

PARTS LIST

When ordering, please give Cylinder Serial Number, Parts List Page Number and Date, and Part Number. If Serial

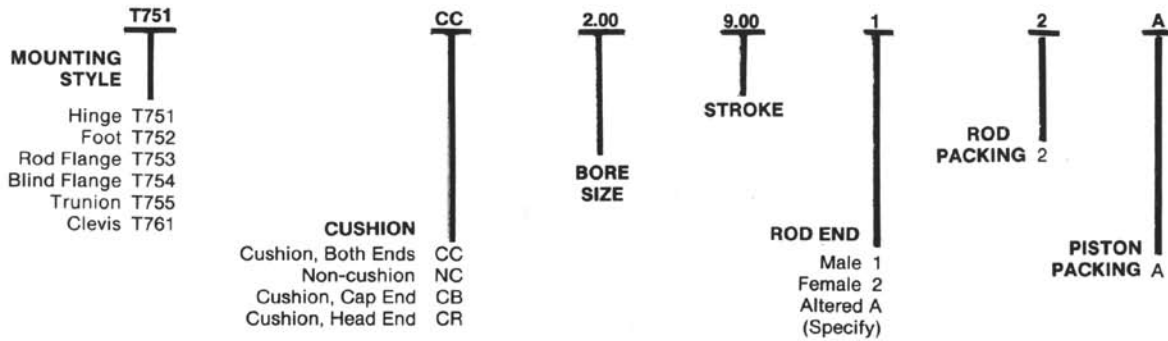
Number is not available, please indicate Model Number, Bore, Stroke and Rod Diameter.



Item No.	Description
1	Back Head
3	Piston (Cushioned)
4	Back-up Washer
5	Piston Packing
6	Cushion Spring
7	Cushion Valve
8	Cushion Retaining Ring
9	Front Head
10	Packing Washer
13	Rod Packing Set
14	Screw
15	Gland
16	Cushion Needle O-Ring
17	Cushion Needle Retainer
18	Cushion Plate
19	Retaining Screw

Item No.	Description
20	Cushion Needle
21	Head O-Ring
22	Tie Rod
23	Tie Rod Nut
24	Piston Rod (Cushioned)
25	Tube
27	Cushion Valve Sleeve
28	Cushion Retainer Washer
29	Piston Rod Nut
30	Piston (Non-Cushioned)
34	Piston Rod (Non-Cushioned)
35	Rod Wiper
40	Piston O-Ring
45	Piston Kit C (Not Shown)
46	Gland Kit (Not Shown)

HOW TO ORDER

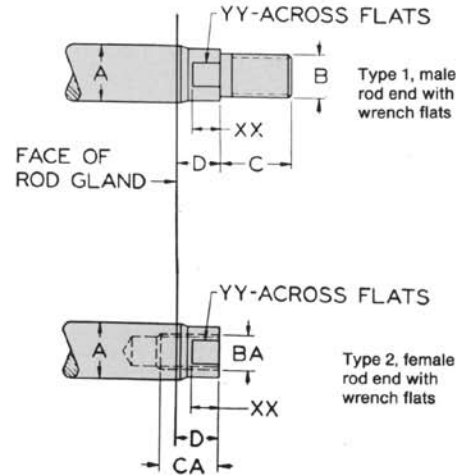


Rod End Dimensions

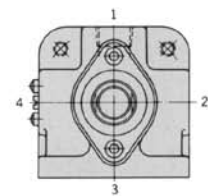
The two piston rod ends illustrated and dimensioned are standard. Rod End type 1 will be furnished on all cylinders unless otherwise specified. Type 2 is optional at no extra charge.

Special rod ends and rod extensions can be made to suit your individual requirements. Wrench flats as illustrated are standard, and facilitate mounting of the cylinder.

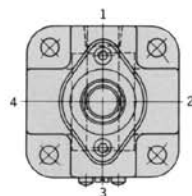
BORE	A	B	C	D	BA	CA	XX	YY
1½	¾	⅞-20	¾	¾	¾-24	½	¾	½
2	¾	½-20	⅞	¾	⅞-20	¾	½	⅞
2½	1	¾-16	1¼	¾	¾-18	1	½	1⅜
3	1	¾-16	1¼	¾	¾-18	1	½	1⅜
4	1½	1-14	1¼	¾	1-14	1½	¾	1¼



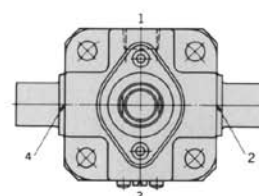
Pipe Port and Cushion Needle Adjustment Locations



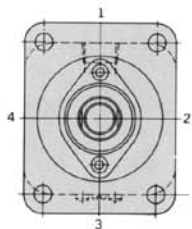
STANDARD LOCATION
PIPE PORT AT 1
CUSHION NEEDLE AT 4
MODEL 752 & 752CC



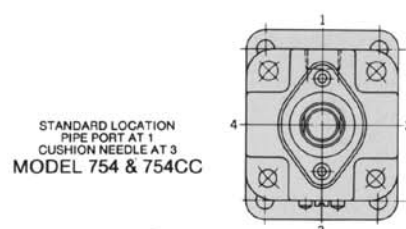
STANDARD LOCATION
PIPE PORT AT 1
CUSHION NEEDLE AT 3
MODEL 751 & 751CC



STANDARD LOCATION
PIPE PORT AT 1
CUSHION NEEDLE AT 3
MODEL 755 & 755CC



STANDARD LOCATION
PIPE PORT AT 1
CUSHION NEEDLE AT 3
MODEL 753 & 753CC



STANDARD LOCATION
PIPE PORT AT 1
CUSHION NEEDLE AT 3
MODEL 754 & 754CC